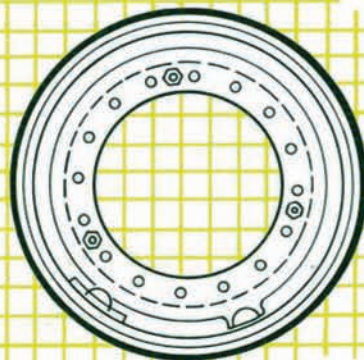
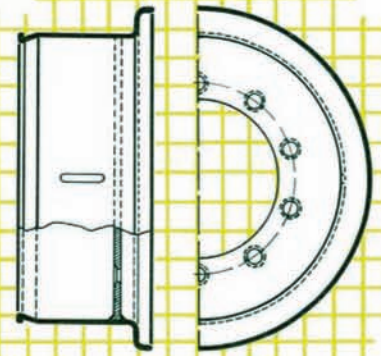


Earthmover, Grader and Heavy Duty Rims and Wheels

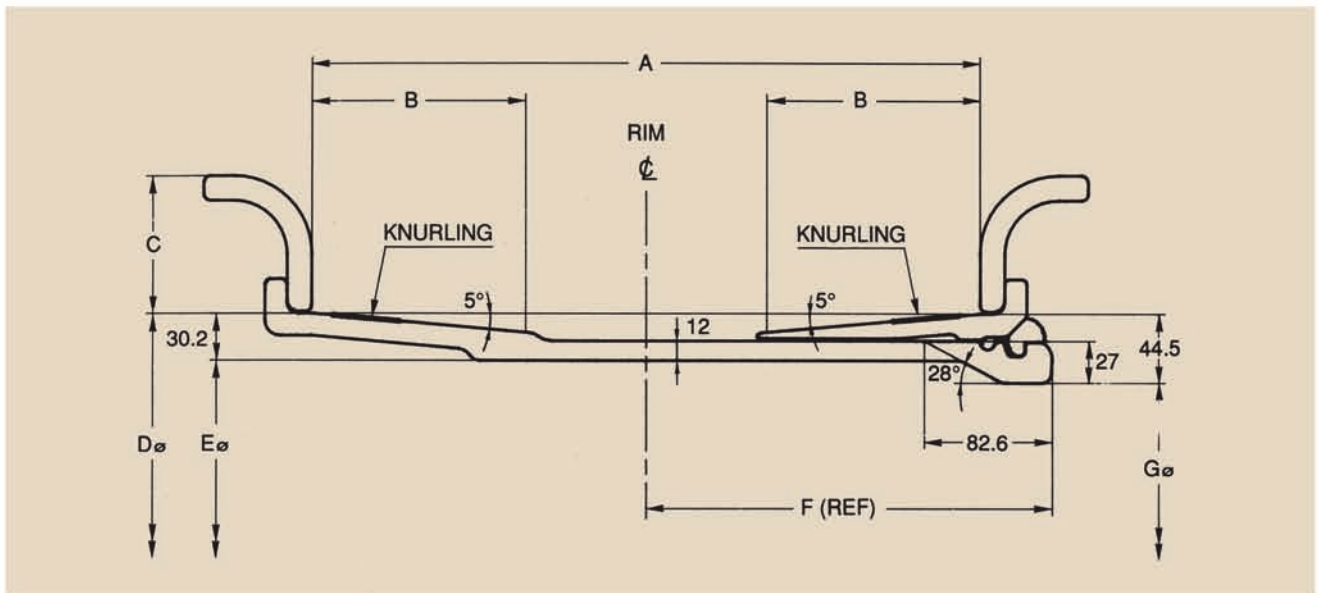


mullins wheels



EARTHMOVER FIVE PIECE RIMS

TYPE EM STN HTN - 25"



- **TAPERED BEAD SEATS** - 5 degree knurled taper supports entire bead of tyre and prevents tyre slippage.
- **SIDE RINGS** - two identical cold-formed continuous rings.
- **PRY BAR POCKETS** - 180 degree apart on base and bead seat band.
- **STANDARD 28 degree mounting bevel** - interchangeable on existing wheels.
- **STANDARD LOCK RING DRIVER** - locks bead seat band to rim base.
- **LOCATING LUG** - on demountable rims only, positioning valve stem for valve protection against rim slippage.
- **RIM BASE** - continuous double weld joins base sections for maximum strength.



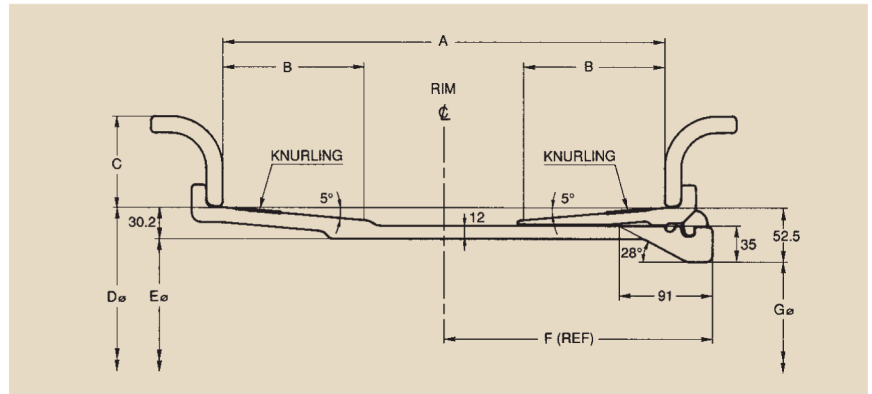
RIM SIZE D x A/C	RECOMMENDED TYRE	DIMENSIONS mm							COMPLETE RIM Wt Kgs	PART NUMBERS				
		A	B	C	D	E	F	G		COMPLETE RIM	RIM BASE	SIDE RING	BEAD SEAT	LOCK RING
25x11.25/2.0	16.00-25	285.8	101.6	50.8	635.0	574.6	185.2	546.0	138.0	RW1125EM B1125STN2	RM1125EM B1125STN	SR2025 S2025	BB4025EMD BB25STN	LR25EMD LR255TN
25x13.00/2.5	18.00-25	330.2	101.6	63.5	635.0	574.6	211.4	546.0	164.0	RW1325EM B1325STN25	RM1325EM B1325STN	SR2525 S2525	BB4025EMD BB25STN	LR25EMD LR255TN
25x15.00/3.0	21.00-25	381.0	101.6	76.2	635.0	574.6	236.8	546.0	185.0	RW1525EM B1525STN3	RM1525EM B1525STN	SR3025 S3025	BB4025EMD BB25STN	LR25EMD LR255TN
25x17.00/2.0	20.5-25	431.8	101.6	50.8	635.0	574.6	258.2	546.0	165.0	RW1725EM B1725HTN2	RM1725EM B1725HTN	SR2025 S2025	BB4025EMD BB25STN	LR25EMD LR255TN
25x19.50/2.5	23.5-25	495.3	101.6	63.5	635.0	574.6	294.0	546.0	192.0	RW1925EM B1925HTN25	RM1925EM B1925HTN	SR2525 S2525	BB4025EMD BB25STN	LR25EMD LR255TN
25x22.00/3.0	26.5-25	558.8	139.7	76.2	635.0	574.6	325.7	546.0	223.0	RW2225EM B2225HTN3	RM2225EM BB2225HTN	SR3025 S3025	BB5525EM BB25HTN	LR25EM LR255TN
25x25.00/3.5	29.5-25	635.0	139.7	88.9	635.0	574.6	363.8	546.0	243.0	RW2525EM B2525HTN35	RM2525EM B2525HTN	SR3525 S3535	BB5525EM BB25HTN	LR25EM LR255TN

IMPORTANT Read and follow all safety instructions before servicing of tyre/rim assemblies.

EARTHMOVER FIVE PIECE RIMS

TYPE EMH HTHM HTHG - 29" 33"

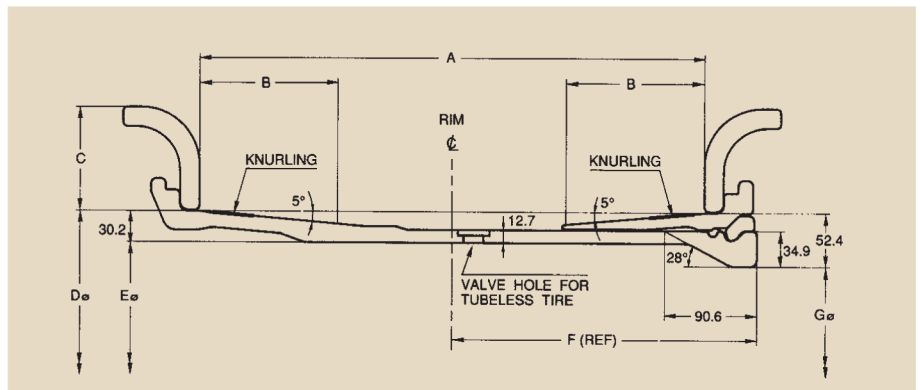
- **TAPERED BEAD SEATS** - 5 degree knurled taper supports entire bead of tyre and prevents tyre slippage.
- **SIDE RINGS** - two identical cold-formed continuous rings.
- **PRY BAR POCKETS** - 180 degree apart on base and bead seat band.
- **BEAD SEAT BAND DRIVER** - heavy duty to lock bead seat band to rim base.
- **RIM BASE** - continuous double weld joins base sections for maximum strength. Heavy duty back and gutter sections.



RIM SIZE Dx A/C	RECOMMENDED TYRE	DIMENSIONS mm							COMPLETE RIM Wt Kgs	PART NUMBERS				
		A	B	C	D	E	F	G		COMPLETE RIM	RIM BASE	SIDE RING	BEAD SEAT	LOCK RING
29x25.00/3.5	29.5-29	635.0	139.7	88.9	736.6	676.2	363.8	631.6	292.0	RW2529EMH 2529HTHM35	RM2529EMH B2529HTHM	SR3529 S3529	BB5529EM BB29HTM	LR29EM LR295TM
33x13.00/2.5	18.00-33	330.2	101.6	63.5	838.2	777.8	211.4	733.2	226.0	RW1333EMH 1333HTHGS25	RM1333EMH B1333HTHGS	SR2533 S2533	BB4033EM BB33STG	LR33EM LR335TM
33x28.00/4.0	33.5-33	711.2	139.7	101.6	838.2	777.8	404.9	733.2	385.0	RW2833EMH 2833HTHM4	RM2833EMH B2833HTHM	SR4033 S4033	BB5533EM BB33HTM	LR33EM LR335TM

TYPE EV RWH - 33" 35"

- **TAPERED BEAD SEATS** - 5 degree knurled taper supports entire bead of tyre and prevents tyre slippage.
- **SIDE RINGS** - Two identical hot rolled sections.
- **CONTINUOUS LIP** - On back section and bead seat band eliminates pry bar pockets.
- **LOCK RING** - EV or W style reduce stress levels in gutter section.
- **RIM BASE** - Standard 28 degree tapered 34.9 mm thick gutter with EV or W type lock ring groove.



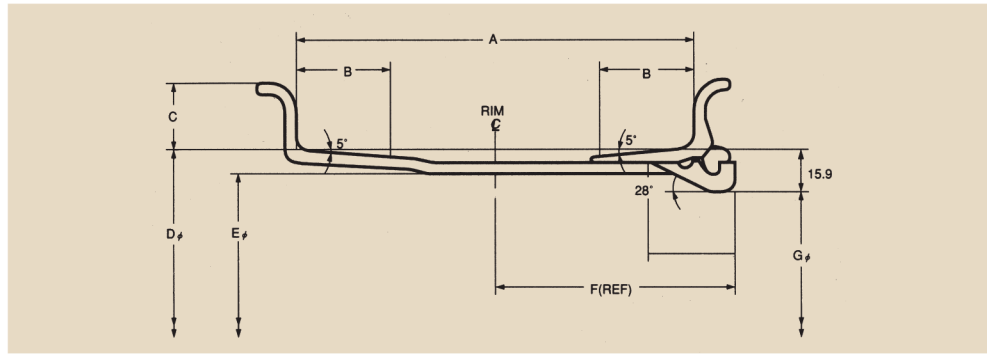
RIM SIZE Dx A/C	RECOMMENDED TYRE	DIMENSIONS mm							COMPLETE RIM Wt Kgs	PART NUMBERS				
		A	B	C	D	E	F	G		COMPLETE RIM	RIM BASE	SIDE RING	BEAD SEAT	LOCK RING
33x13.00/2.5	18.00-33	330.0	101.5	63.5	838.2	777.8	213.4	733.4	250.0	RW1333EV 1333RWHGS25	RM1333EV B1333RWHGS	SR2533 S2533	BB5533EV BB33RTG	LR33EV LR33W
35x15.00/3.0	21.00-35	381.0	139.7	76.2	889.0	828.6	239.9	784.2	292.0	RW1535EV 1535RWHGUS3	RM1535EV B1535RWHGUS	SR3035 S3035	BB5535EV BB35RTG	LR35EV LR35W
35x17.00/3.5	24.00-35	431.8	139.7	88.9	889.0	828.6	265.3	784.2	323.0	RW1735EV 1735RWHGUS35	RM1735EV B1735RWHGUS	SR3535 S3535	BB5535EV BB35RTG	LR35EV LR35W

IMPORTANT Read and follow all safety instructions before servicing of tyre/rim assemblies.

GRADER INDUSTRIAL AND CONSTRUCTION RIMS

TYPE TGF T VA GR

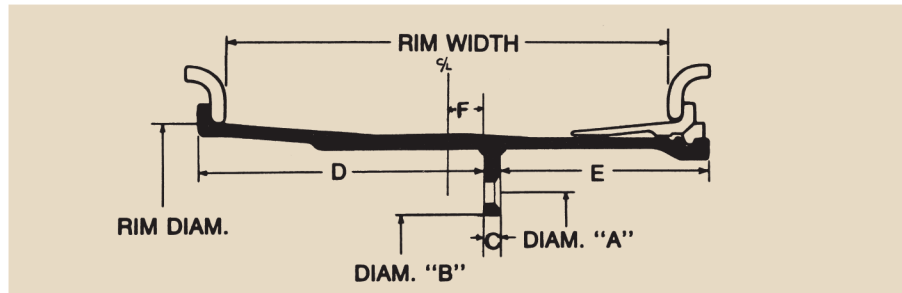
- Three piece Flat Base Tubeless Grader Rim.
- Same Bead Seat contours as semi drop centre grader rims (TGD type).



RIM SIZE Dx A/C	RECOMMENDED TYRE	DIMENSIONS mm							COMPLETE RIM Wt Kgs	PART NUMBERS			
		A	B	C	D	E	F	G		COMPLETE RIM	RIM BASE	SIDE RING	LOCK RING
24x10.00VA	13.00-24, 14.00-24 16.00-24	254.0	63.5	43.0	614.4	574.0	153.0	545.4	65.5	RW1024 1024TGF	RM1024 B1024TGF	SR8024 F1024TG	LR1024 LR1024G
25x10.00/1.5	14.00-25	254.0	63.5	38.0	635.0	594.6	153.0	571.6	66.5	RW1025 1025T	RM1025 B1025T	SR1025 F1025T	LR1025 LR25T
25x12.00/1.3A	15.5-25	305.0	63.5	33.0	635.0	593.6	179.5	566.0	72.0	RW1225A 1225T	RM1225A B1225T	SR1225A F1225T	LR1225A LR25T
25x14.00/1.5	17.5-25	356.0	63.5	38.0	635.0	593.6	204.0	566.0	77.0	RW1425 1425T	RM1425 B1425T	SR1425 F1425T	LR1425 LR25T
25x17.00/1.7	20.5-25 12PR, 16PR	432.0	63.5	43.0	635.0	593.6	243.0	566.0	85.0	RW1725-1.7 1725T	RM1725-1.7 B1725T	SR1725-1.7 F1725T	LR1725-1.7 LR25T

GRADER AND EARTHMOVING WHEELS

HOW WE MEASURE UP



DIMENSIONS:

- A. Pitch circle diameter _____
 Number of stud holes _____
 Diameter of stud holes _____
 Countersink angle _____
- B. Centre bore hold diameter _____
- C. Centre thickness _____
 Diameter of machined mounting face _____
- D. Back-spacing measurement _____
- E. Front-spacing measurement _____
- F. Nominal offset _____
 (From rim centreline to driving face of centre) _____
 Valve hole position _____
 (From outside edge of rim) _____
 Valve protector Yes/No _____
 Lock ring position inside/outside _____

MACHINE SPECIFICATIONS:

Make _____
 Model _____ Year _____
 Standard tyre size _____ Ply rating _____

WHEEL SPECIFICATIONS:

Rim width _____ Diameter _____ Rim type _____
 Centre type – _____
 Flat plate, scollaped plate or formed disc _____

OTHER INFORMATION:

IMPORTANT Read and follow all safety instructions before servicing of tyre/rim assemblies.

HEAVY DUTY TUBE TYPE RIMS AND WHEELS

15" 16" 20" AND 24" DIAMETER

16" AND 20" TUBE TYPE DISC WHEELS

WHEEL SIZE	DRILLING NUMBER PCD	STUD HOLE TYPE AND MOUNT	BORE DIAM (mm)	WHEEL OFFSET (mm)	DISC THICKNESS (mm)	PART NUMBER
6.0x16	6-222.25	A-Am-SM	164	135	11	715-165
7.5x20	8-285	A-Am-SM	221	165	12	715-415
7.5x20	10-285.75	C-ISO-HM	220	165	12	715-430
7.5x20	10-285.75	A-Am-SM	221	165	12	715-440
7.5x20	10-335	C-ISO-HM	281	165	12	715-465
7.5x20	10-335	B-Eng-SM	281	165	12	715-460
7.5x20	10-335	E-Din-SM	281	165	12	715-470
8.0x20	10-285.75	C-ISO-HM	220	173	13	715-515
8.0x20	10-285.75	A-Am-SM	221	173	13	715-500
8.0x20	10-335	C-ISO-HM	281	173	13	715-510
8.0x20	10-335	B-Eng-SM	281	173	13	715-505
8.0x20	10-335	E-Din-SM	281	173	13	715-520
8.5x20	10-285.75	C-ISO-HM	220	180	13	715-615
8.5x20	10-285.75	A-Am-SM	221	180	13	715-600
8.5x20	10-335	C-ISO-HM	281	180	13	715-605
8.5x20	10-335	B-Eng-SM	281	180	13	715-610
8.5x20	10-335	E-Din-SM	281	180	13	715-620

*HM – HUB MOUNT *SM – STUD MOUNT – Other sizes and drillings available.

20" AND 24" HEAVY DUTY WHEELS

WHEEL SIZE	DRILLING NUMBER PCD	STUD HOLE TYPE AND MOUNT*	BORE DIAMETER (mm)	WHEEL OFFSET (mm)	DISC THICKNESS (mm)
10.00x20	8-285	A-Am-SM	221	Various	15
10.00x20	10-285.75	C-ISO-HM	220	Various	15
10.00x20	10-285.75	A-Am-SM	221	Various	15
10.00x20	10-335	C-ISO-HM	281	Various	15
10.00x20	10-335	B-Eng-SM	281	Various	15
10.00x20	10-335	E-Din-SM	281	Various	15
8.50x24	10-285.75	C-ISO-HM	220	190	15
8.50x24	10-285.75	A-Am-SM	221	190	15
8.50x24	10-335	C-ISO-HM	281	190	15
8.50x24	10-335	B-Eng-SM	281	190	15
8.50x24	10-335	E-Din-SM	281	190	15
10.00x24	10-285.75	C-ISO-HM	220	225	15
10.00x24	10-285.75	A-Am-SM	221	225	15
10.00x24	10-335	C-ISO-HM	281	225	15
10.00x24	10-335	B-Eng-SM	281	225	15
10.00x24	10-335	E-Din-SM	281	225	15

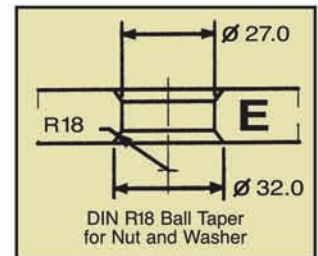
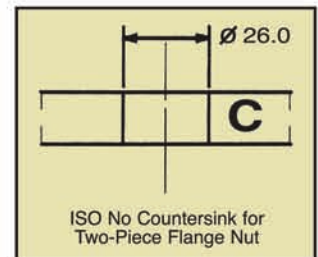
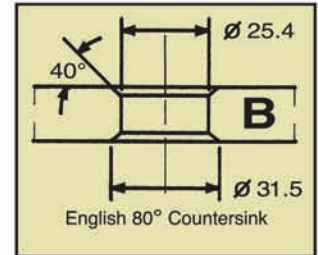
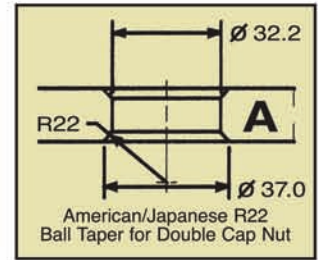
*HM – HUB MOUNT *SM – STUD MOUNT – Other sizes and drillings available.

15" 16" 20" AND 24" TUBE TYPE RIMS

FITMENT	SIZE	TYPE	PART NUMBER
Demountable	5.5x15	GWH 3 Pce	705-005
Demountable	6.0x15	GWH 3 Pce	705-010
Demountable	6.5x15	GWH 3 Pce	705-035
Demountable	7.0x15	GWH 3 Pce	705-050
Demountable	7.5x15	GWH 3 Pce	705-065
Non-Demountable	6.0Gx16	SYM 2 Pce	705-130
Demountable	7.0x20	SYM 2 Pce	705-245
Demountable	7.5x20	GWH 3 Pce	705-280
Demountable	7.5x20	ACR 2 Pce	705-260
Demountable	7.5x20	ACR 3 Pce	705-275
Demountable	8.0x20	GWH 3 Pce	705-305
Demountable	8.5x20	GWH 3 Pce	705-310
Demountable - Tube Type	10.0x20	KPR 3 Pce	740-1020KP
Demountable - Tubeless	10.0x20	KPR 3 Pce	740-1020KPT
Demountable	8.5x24	ACR 3 Pce	740-8524ACC
Demountable	10.0x24	MD 3 Pce	740-1024MD
Demountable	10.0x24	M2D 3 Pce	740-1024M2D
Demountable	10.0x24	WIM 3 Pce	740-1024WIM



STUD HOLE TYPES



IMPORTANT Read and follow all safety instructions before servicing of tyre/rim assemblies.

HEAVY DUTY TUBELESS RIMS AND WHEELS

17.5" AND 22.5" TUBELESS DEMOUNTABLE RIMS

BRAND	RIM SIZE	RIM OFFSET (mm)	MAXIMUM LOAD (kgs)	VALVE TYPE	PAINT FINISH	PART NUMBER
ACCURIDE	6.75x17.5	100	2725	TR570	Grey	700-300
ACCURIDE	7.50x22.5	108	3000	TR573	Grey	700-390
ROADKING	8.25x22.5	118	3550	V3-14-3	Silver	700-420
ROADKING	9.00x22.5	102	3750	V3-14-3	Silver	700-465
ROADKING	9.00x22.5	127	3750	V3-14-3	Silver	700-470

17.5" 19.5" AND 22.5" STEEL DISC WHEELS

BRAND	WHEEL SIZE	DRILLING NUMBER PCD	STUD HOLE TYPE AND MOUNT*	BORE DIAMETER (mm)	WHEEL OFFSET (mm)	DISC THICKNESS (mm)	VALVE TYPE	PAINT FINISH	PART NUMBER
ROADKING	6.00x17.5	6-222.25	A-Am-SM	164	135	12	V3-20-4	Silver	710-200
ROADKING	6.75x17.5	10-225	C-ISO-HM	176	145	12.5	V3-20-4	Silver	710-220
ROADKING	7.50x19.5	8-275	C-ISO-HM	221	151	13	V3-20-4	Silver	710-240
ROADKING	7.50x19.5	10-225	C-ISO-HM	176	151	13	V3-20-4	Silver	710-230
ROADKING	7.50x22.5	10-335	C-ISO-HM	281	153	12	V3-20-4	Silver	710-340
ROADKING	7.50x22.5	10-335	B-Eng-SM	281	153	12	V3-20-4	Silver	710-330
ROADKING	7.50x22.5	10-335	E-Din-SM	281	153	12	V3-20-4	Silver	710-350
ROADKING	8.25x22.5	8-285	A-Am-SM	221	165	14	V3-20-4	Silver	710-445H
ROADKING	8.25x22.5	10-285.75	C-ISO-HM	220	165	14	V3-20-4	Silver	710-447H
ROADKING	8.25x22.5	10-285.75	A-Am-SM	221	165	14	V3-20-4	Silver	710-450H
ROADKING	8.25x22.5	10-335	C-ISO-HM	281	165	14	V3-20-4	Silver	710-460H
ROADKING	8.25x22.5	10-335	B-Eng-SM	281	165	14	V3-20-4	Silver	710-455H
ROADKING	8.25x22.5	10-335	E-Din-SM	281	165	14	V3-20-4	Silver	710-465H
ACCURIDE	8.25x22.5	10-335	C-ISO-HM	281	168	11	TR570	Grey	710-440
ROADKING	9.00x22.5	10-285.75	C-ISO-HM	220	175	14	V3-20-4	Silver	710-515
ROADKING	9.00x22.5	10-285.75	A-Am-SM	221	175	14	V3-20-4	Silver	710-505
ROADKING	9.00x22.5	10-335	C-ISO-HM	281	175	14	V3-20-4	Silver	710-500
ROADKING	9.00x22.5	10-335	B-Eng-SM	281	175	14	V3-20-4	Silver	710-510
ROADKING	9.00x22.5	10-335	E-Din-SM	281	175	14	V3-20-4	Silver	710-520

For Stud Hole Type details, see page 5.

IMPORTANT Read and follow all safety instructions before servicing of tyre/rim assemblies.



HEAD OFFICE 25-47 Cheviot Rd, Salisbury, South Australia 5108
Ph: (08) 8282 3600 Fax: (08) 8281 3232 Email: info@mullins.com.au

VIC 474 Mahoneys Rd, Campbellfield VIC 3061

Ph (03) 9357 2333 Fax (03) 9357 3112

NSW 12 Allen Place, Wetherill Park NSW 2164

Ph (02) 9725 2555 Fax (02) 9725 2472

QLD 14 Success St, Acacia Ridge QLD 4110

Ph (07) 3277 8677 Fax (07) 3277 0303

WA 83 Belgravia St, Belmont WA 6104

Ph (08) 9277 6266 Fax (08) 9277 3493

SA 25-47 Cheviot Rd, Salisbury SA 5108

Ph (08) 8281 3555 Fax (08) 8281 6262

NZ Unit A, 7-11 Arwen Place, East Tamaki, Auckland

Ph (64) 9 2727199 Fax (64) 9 2727198